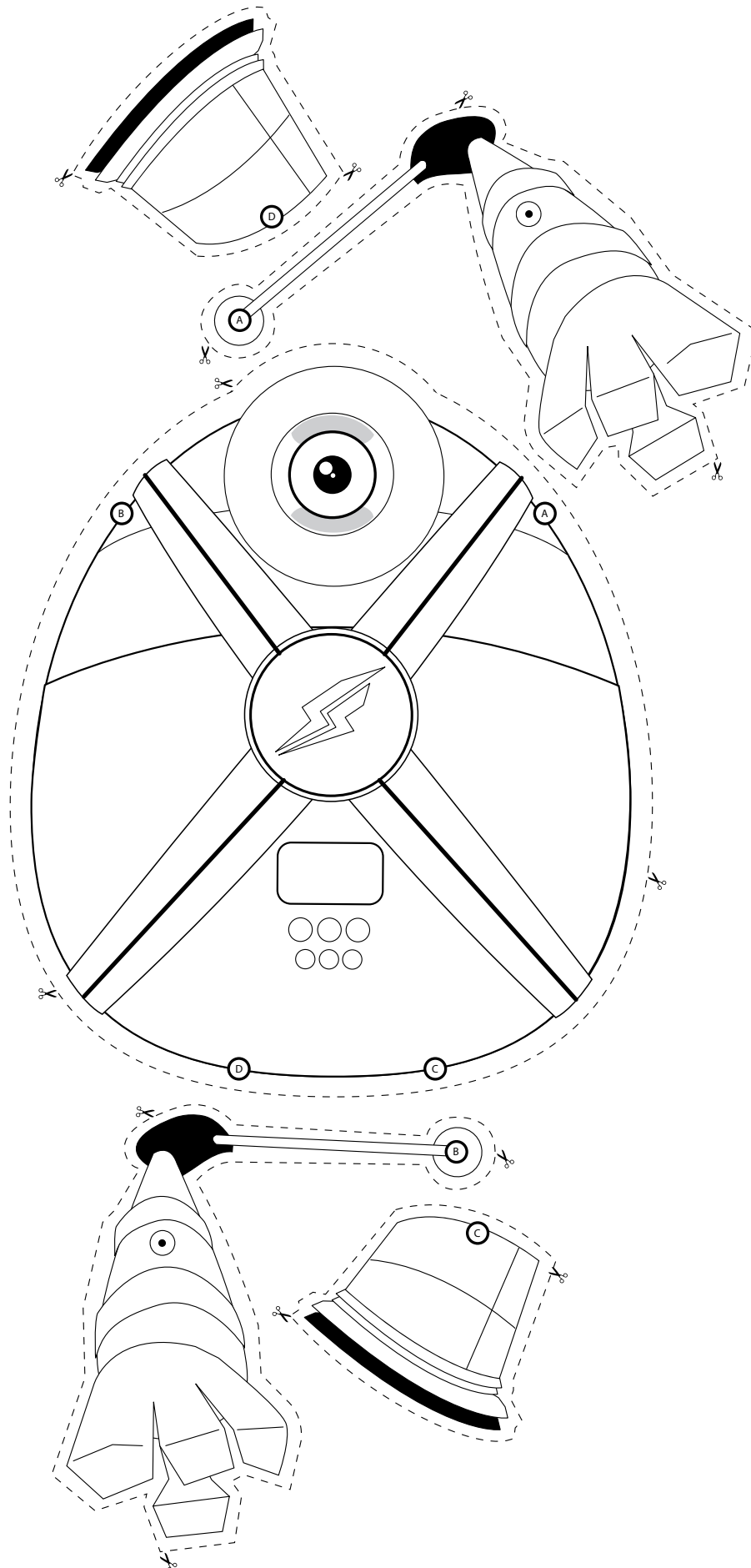


Colour me in, cut me out puppet.



Instructions

Safety: You will need scissors and paper fastener pins to complete this puppet of Sprocket. When using scissors and paper fasteners be careful to use them correctly and get an adult to help.

You will need:

1 X  Scissors 4 X  Fastener pins

And a selection of colouring pencils



Stage 1

Colour Sprocket in, pencils will be better for this job as felt tips will make the paper wet and not as durable when pinning together.

Stage 2

Once coloured in, cut Sprocket out using the scissors. Be careful not to injure yourself when using the scissors. Follow all the dashed lines until all 5 parts are free from the paper.

Stage 3

Pin Sprocket together by lining up the letters, and pushing the paper fastener pins through the centre of the letters. Once the pin is pushed through, peel the pin in half and bend into position. Sprocket's body will start at the bottom with the arms and legs pinned together on top.